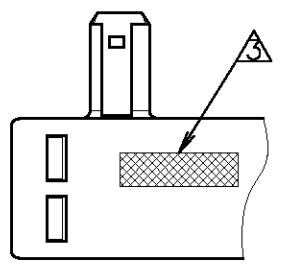
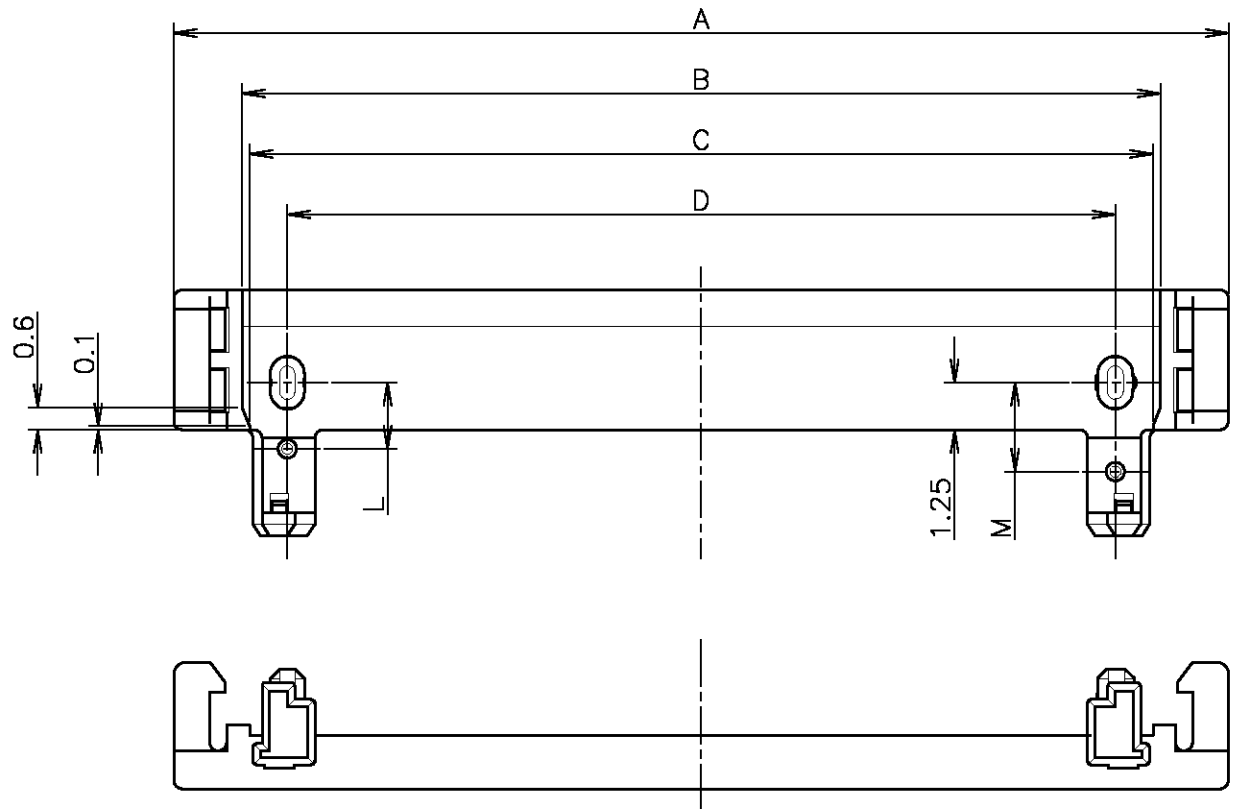
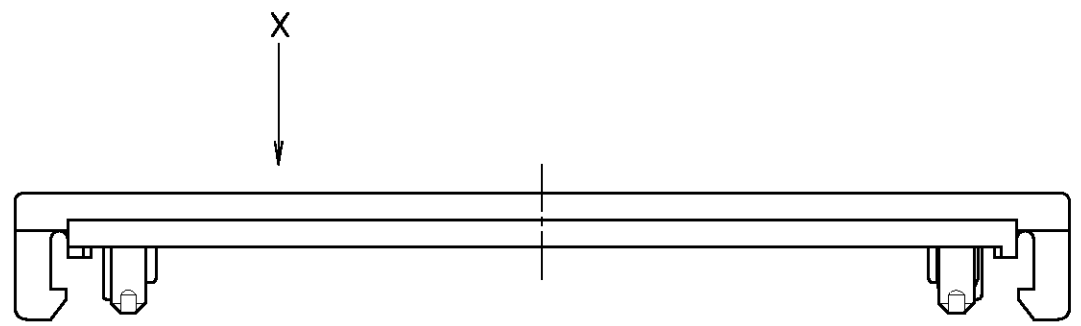


THIS DRAWING IS UNPUBLISHED. RELEASED FOR PUBLICATION
 © COPYRIGHT - By - ALL RIGHTS RESERVED.

LOC	DIST	REVISIONS					
J		P	LTR	DESCRIPTION	DATE	DWN	APVD
		D		REVISED PER ECR-11-002357	05MAY11	TT	TM



VIEW X



NOTE
 1 GENERAL TOLERANCE : $\pm 0.3, \pm 3^\circ$
 MATERIAL
 PBT(GRAY, BLACK)
 tyco MARK

	BLACK	1.75	2.35	21.9	23.9	24.3	27.9	40	1871338-7	COVER A-40 REVERSE TYPE	
①	OBSOLETE	BLACK	2.35	1.75	21.9	23.9	24.3	27.9	40	1871338-6	COVER A-40 NORMAL TYPE
	BLACK	2.35	1.75	41.9	43.9	44.3	47.9	80	1871338-5	COVER A-80 NORMAL TYPE	
①	OBSOLETE	BLACK	1.75	2.35	21.9	23.9	24.3	27.9	40	1871338-3	COVER A-40 REVERSE TYPE
	GRAY	2.35	1.75	41.9	43.9	44.3	47.9	80	1871338-2	COVER A-80 NORMAL TYPE	
	GRAY	2.35	1.75	21.9	23.9	24.3	27.9	40	1871338-1	COVER A-40 NORMAL TYPE	
	COLOR	M	L	D	C	B	A	POS	PART NUMBER	NAME	

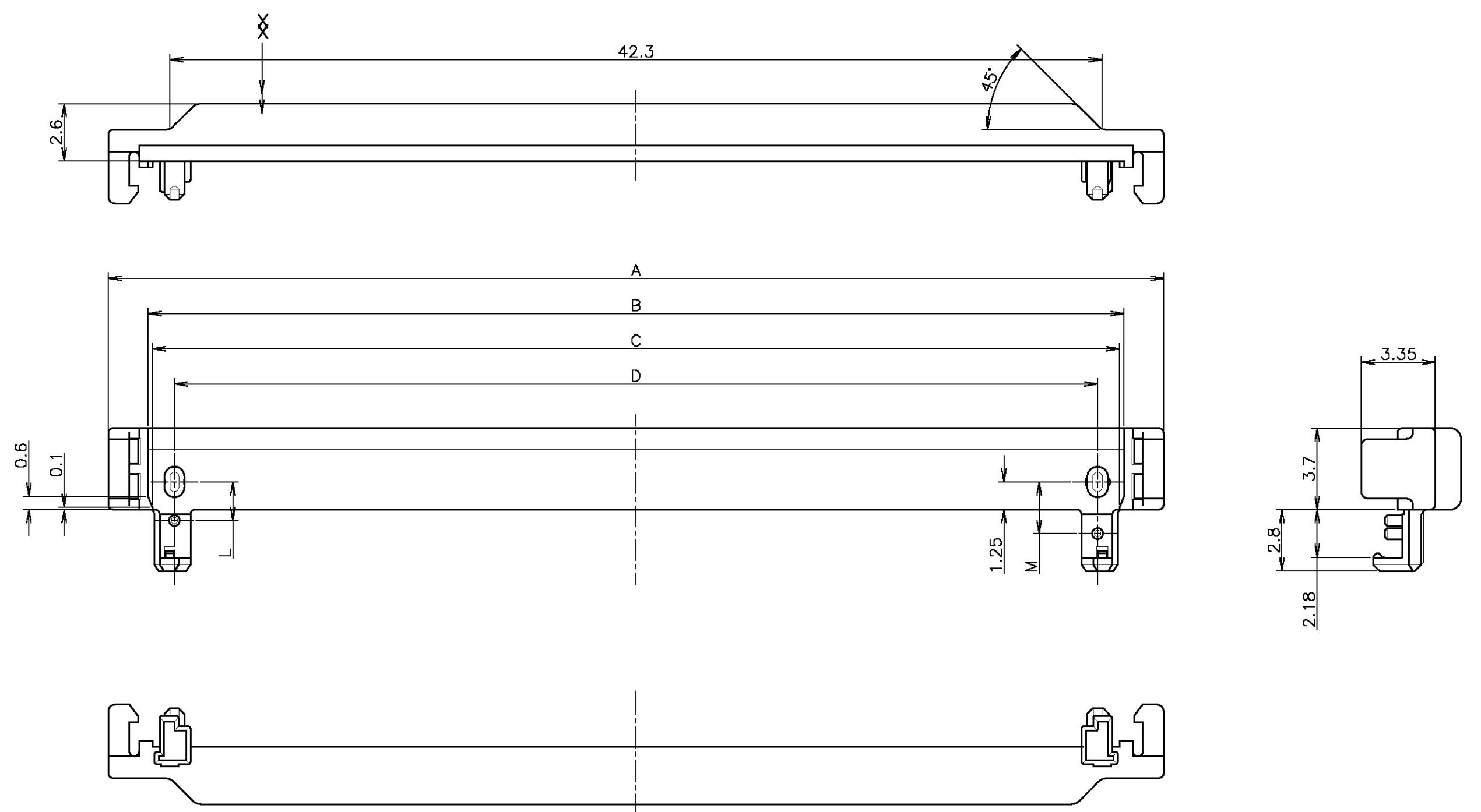
THIS DRAWING IS A CONTROLLED DOCUMENT.

DWN T. SEKINE 29NOV05	TE Connectivity
CHK T. FUTATSUGI 29NOV05	
APVD Y. YAMAMOTO 29NOV05	
NAME Y. YAMAMOTO	
PRODUCT SPEC 製品規格 108-78322	NAME 名称 FFC EASY MATING CONNECTOR, 0.5mm PITCH COVER A
APPLICATION SPEC 取付適用規格 411-78220	SIZE A3
WEIGHT	CAGE CODE 00779
	DRAWING NO 番号 C-1871338
	RESTRICTED TO
CUSTOMER DRAWING	
SCALE 尺度 5:1	SHEET 1 OF 3
	REV D

1871338-1, -2, -3, -6, -7 : AS SHOWN

THIS DRAWING IS UNPUBLISHED. RELEASED FOR PUBLICATION
 © COPYRIGHT - By - ALL RIGHTS RESERVED.

LOC	DIST	REVISIONS		
J		變更	DATE	DWN
P	LTR	DESCRIPTION	APVD	
		SEE SHEET 1		



1871338-5 : AS SHOWN

THIS DRAWING IS A CONTROLLED DOCUMENT.		DWN	STE TE Connectivity	
DIMENSIONS: 單位: 耗 mm		CHK		
TOLERANCES UNLESS OTHERWISE SPECIFIED: 一般公差		APVD	NAME 名稱 FFC EASY MATING CONNECTOR, 0.5mm PITCH COVER A	
0 PLC ±		PRODUCT SPEC 製品規格	SIZE	CAGE CODE
1 PLC ±		APPLICATION SPEC 取付適用規格	A3	00779
2 PLC ±		WEIGHT	DRAWING NO 番号	RESTRICTED TO
3 PLC ±			C-1871338	
4 PLC ±				
ANGLES ±				
FINISH 仕上				
MATERIAL 材料				
		CUSTOMER DRAWING	SCALE 尺度 5:1	SHEET 2 OF 3
				REV D

